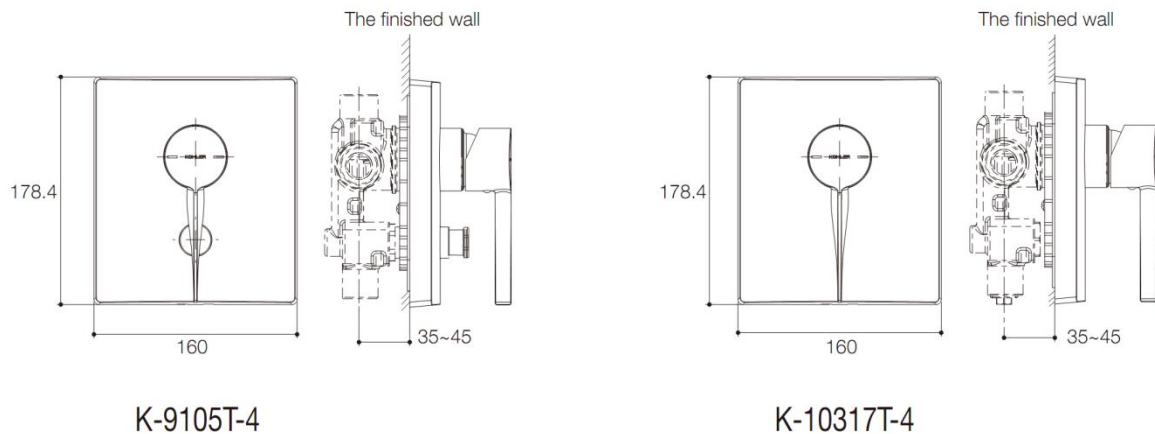


Product Specification:

Model	Handle	Finish	NOTE
STANCE 40mm Recessed Bath and Shower Faceplate			
K-9105T-4	Lever	CP	Required to be matched with 882T 40mm recessed bath and shower valve
STANCE 40mm Recessed Shower Faceplate			
K-10317T-4	Lever	CP	Required to be matched with 880T 40mm recessed bath and shower valve

Product Dimension:



*The above information are subject to change without notice.